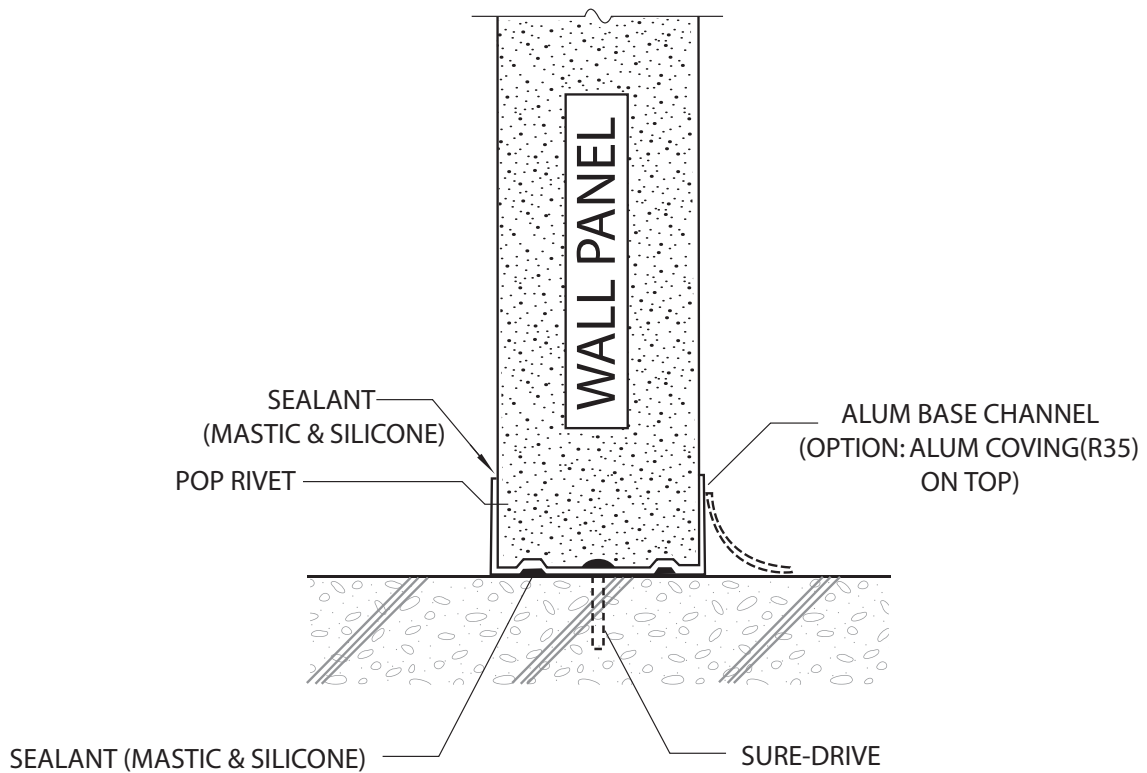
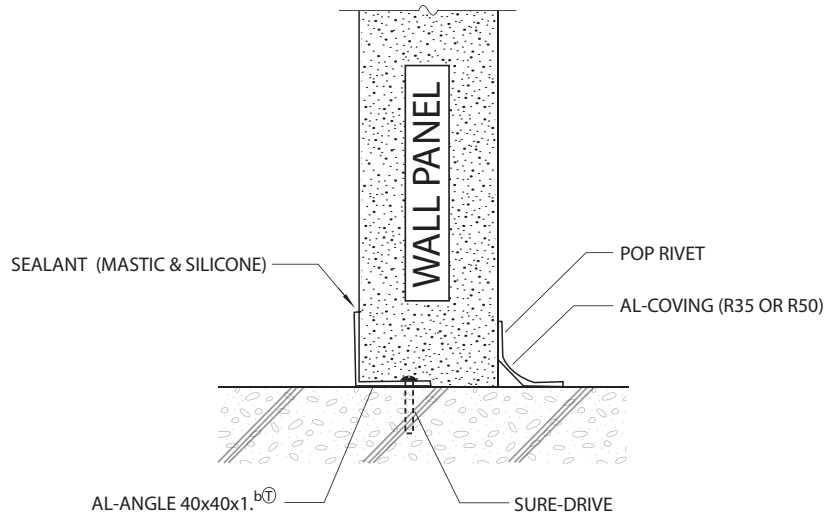


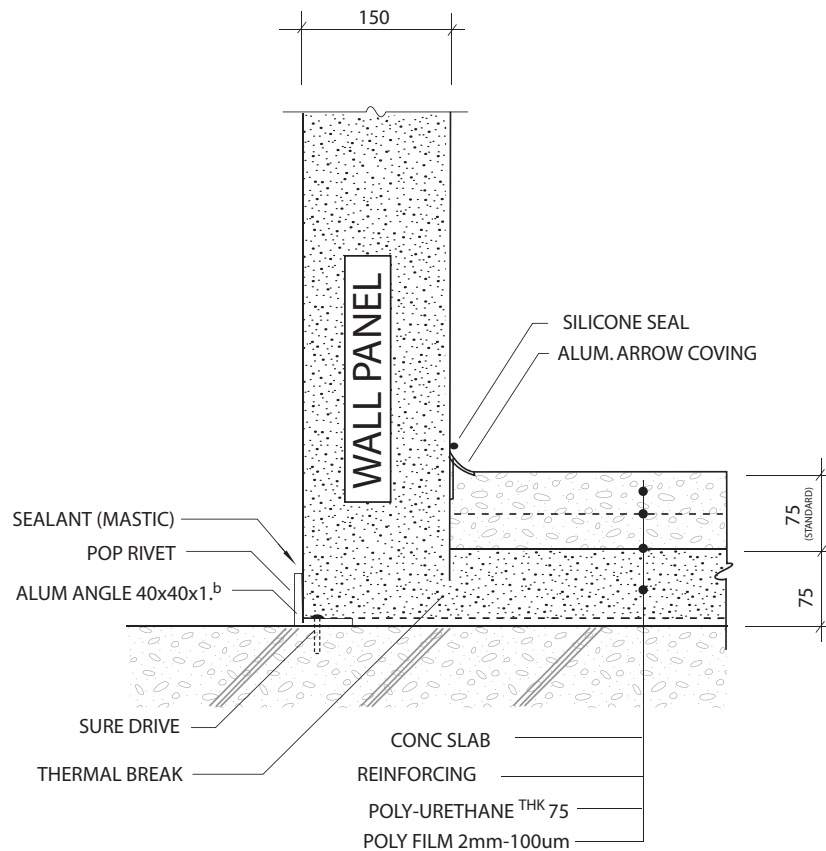
UP TURN ROOF PROFILE



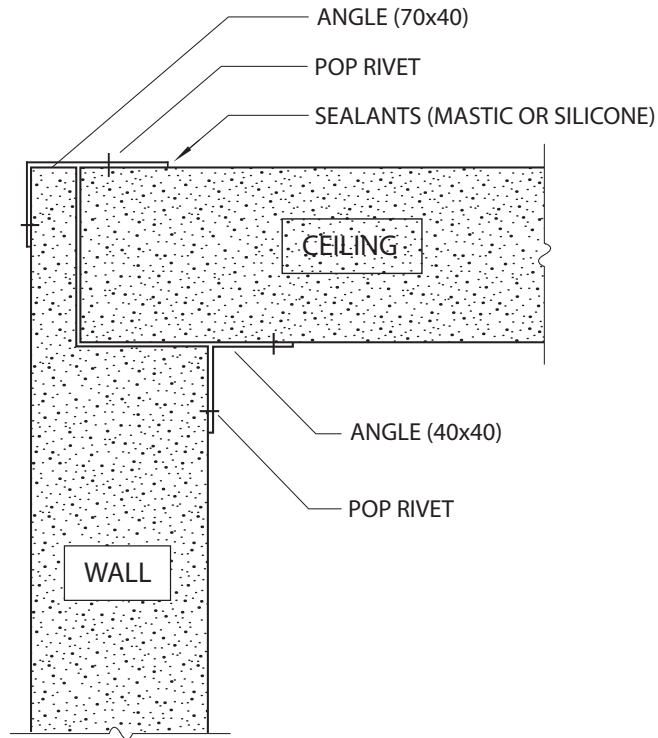
WALL PANEL TO THE FLOOR (TYPE OF NO FLOOR COOLROOM)



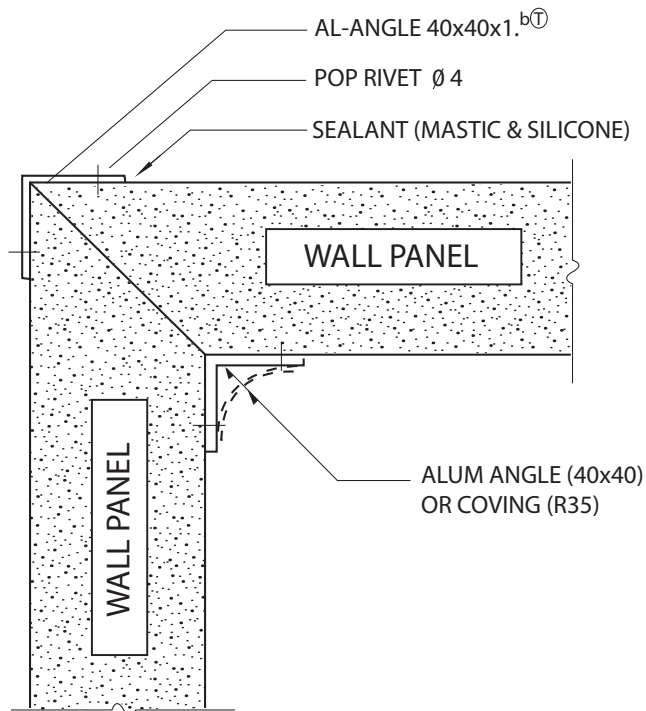
WALL PANEL TO THE FLOOR (TYPE OF NO FLOOR COOLROOM)



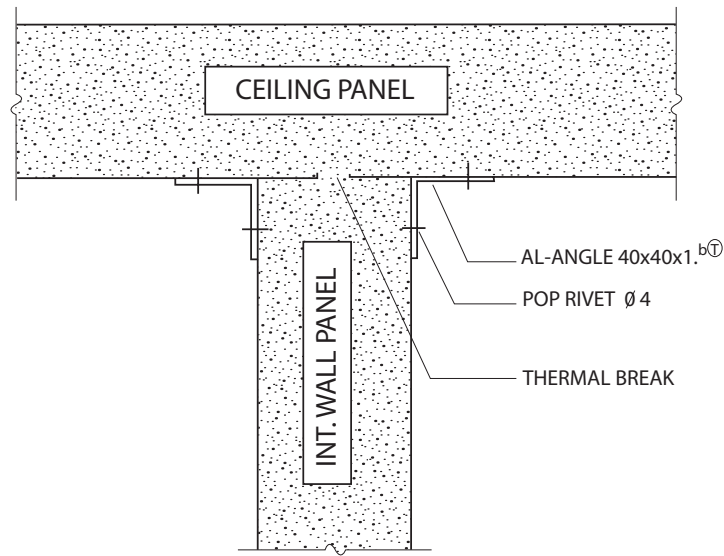
WALL PANEL TO THE FLOOR  
(TYPE OF CONCRETE FLOOR FREEZER)



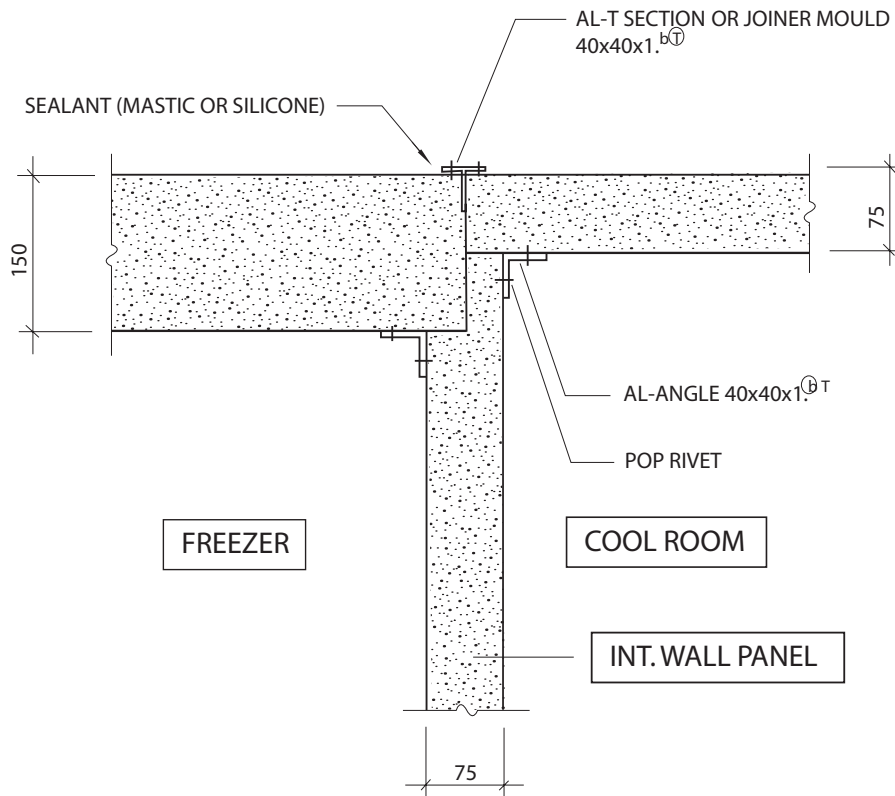
WALL PANEL TO CEILING CONNECTION



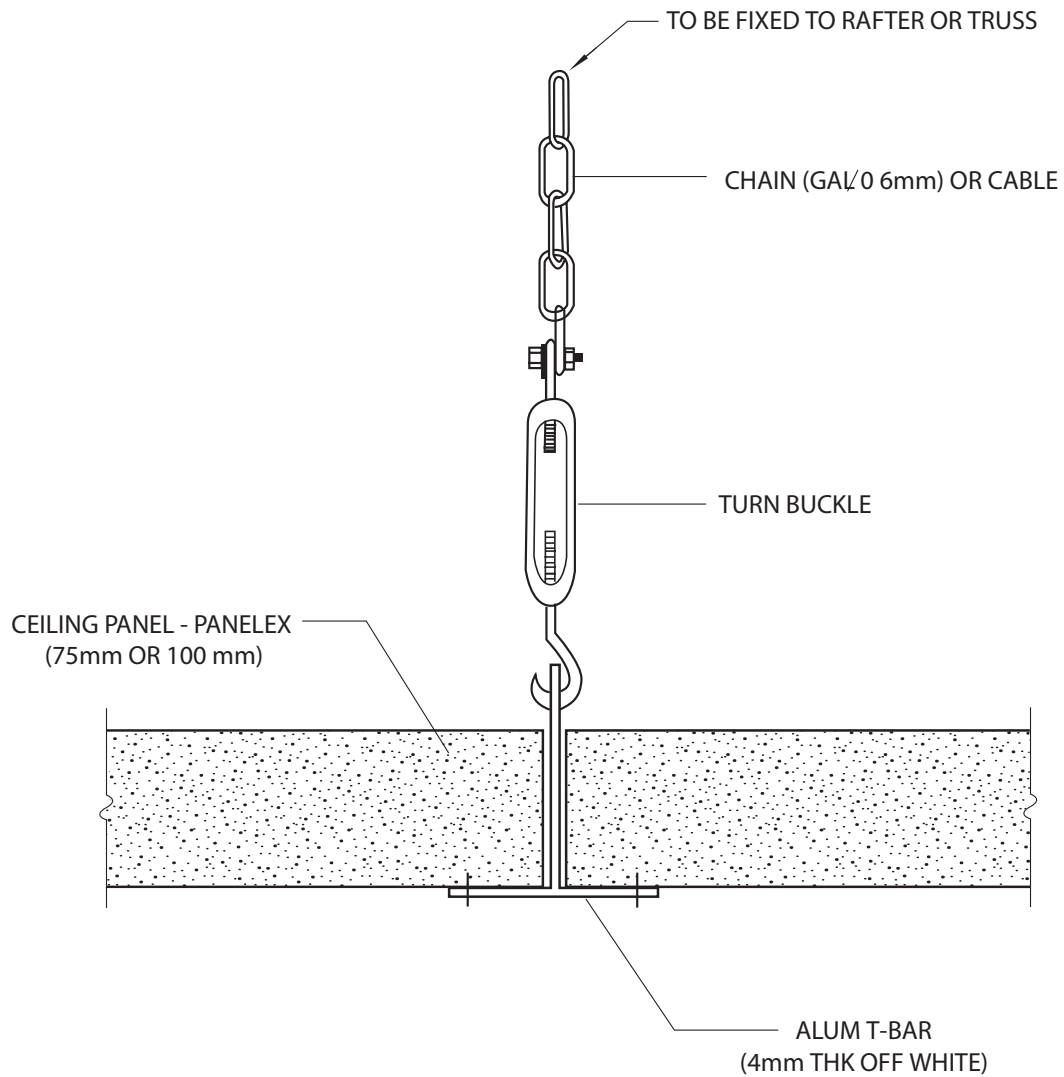
WALL TO WALL CONNECTION (MITRE JOINT)



CEILING TO WALL CONNECTION SCALE 1:2.5



FREEZER TO COOL ROOM CONNECTION SCALE 1:5



## MAIN SUSPENSION CEILING SYSTEM