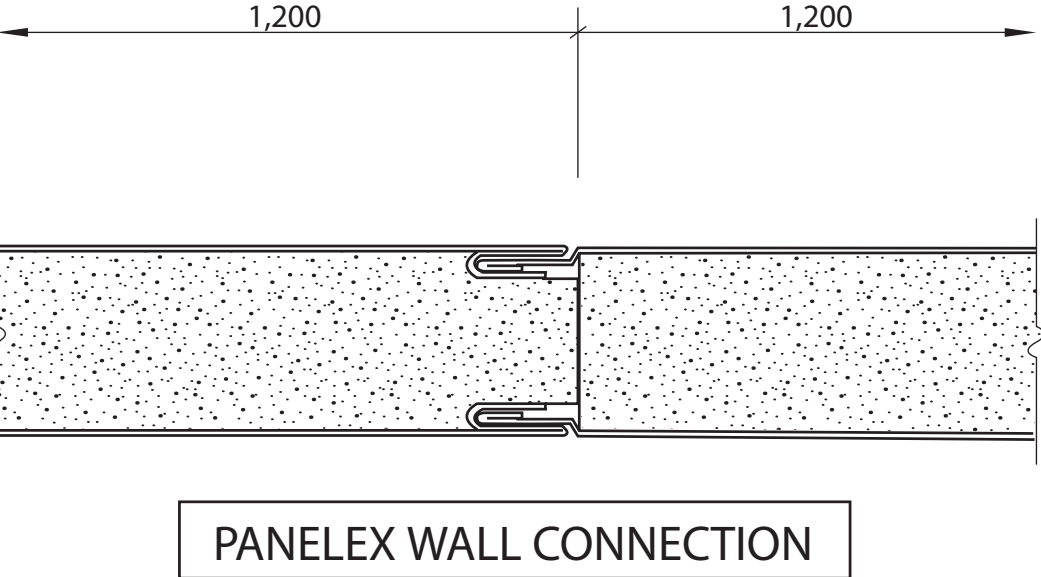
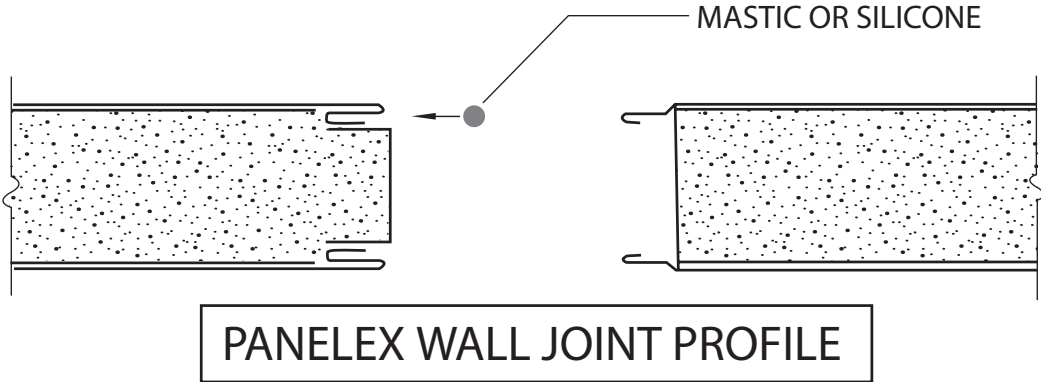
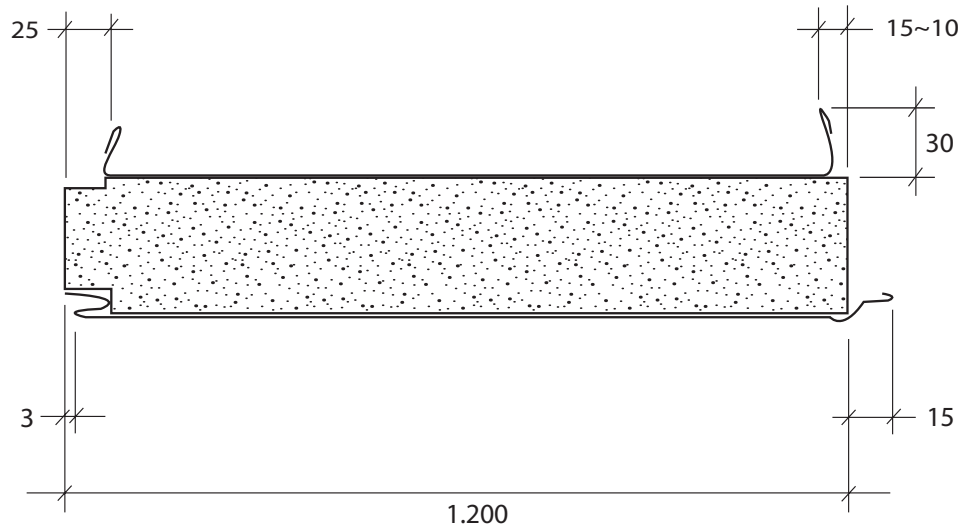


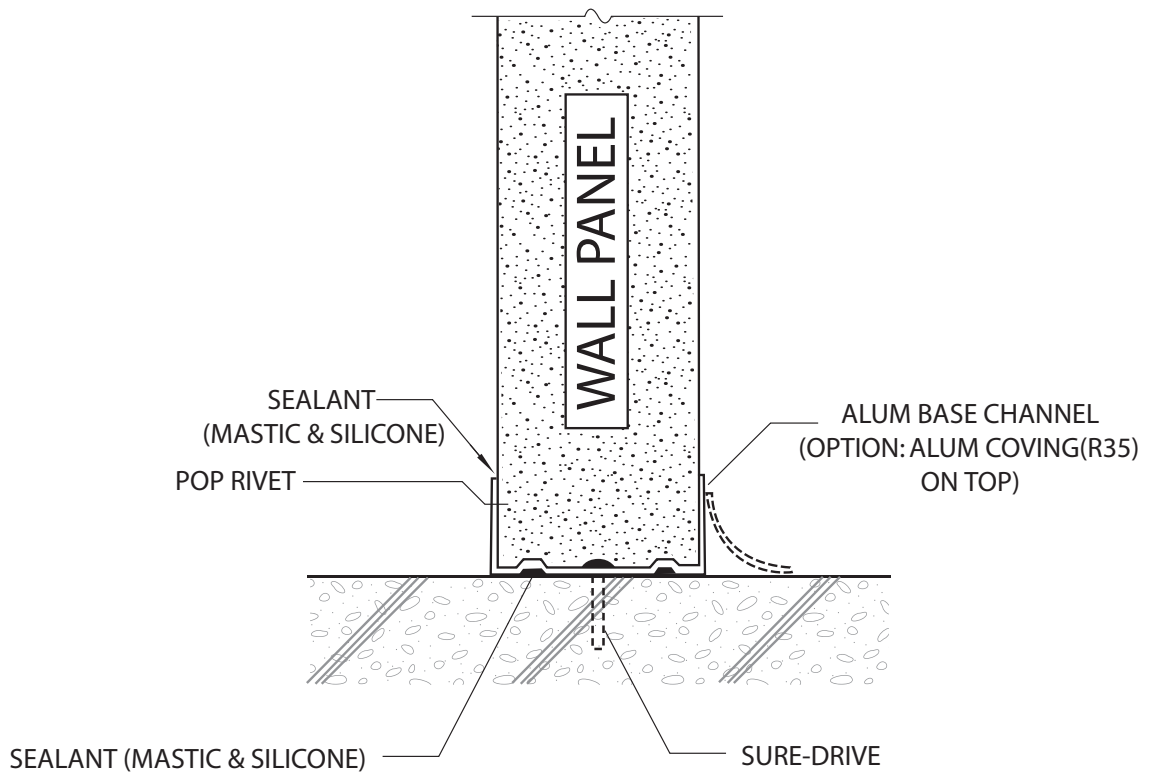
Austec Panel Systems Australia Pty Ltd



Austec Panel Systems Australia Pty Ltd

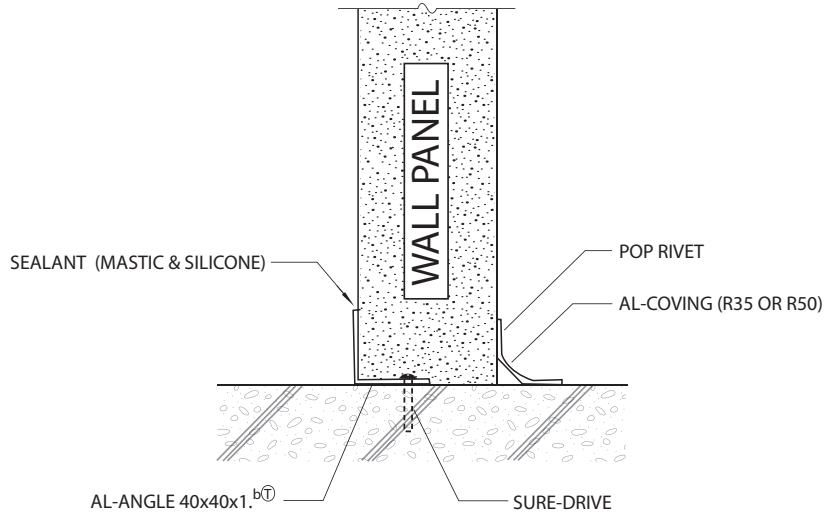


UP TURN ROOF PROFILE

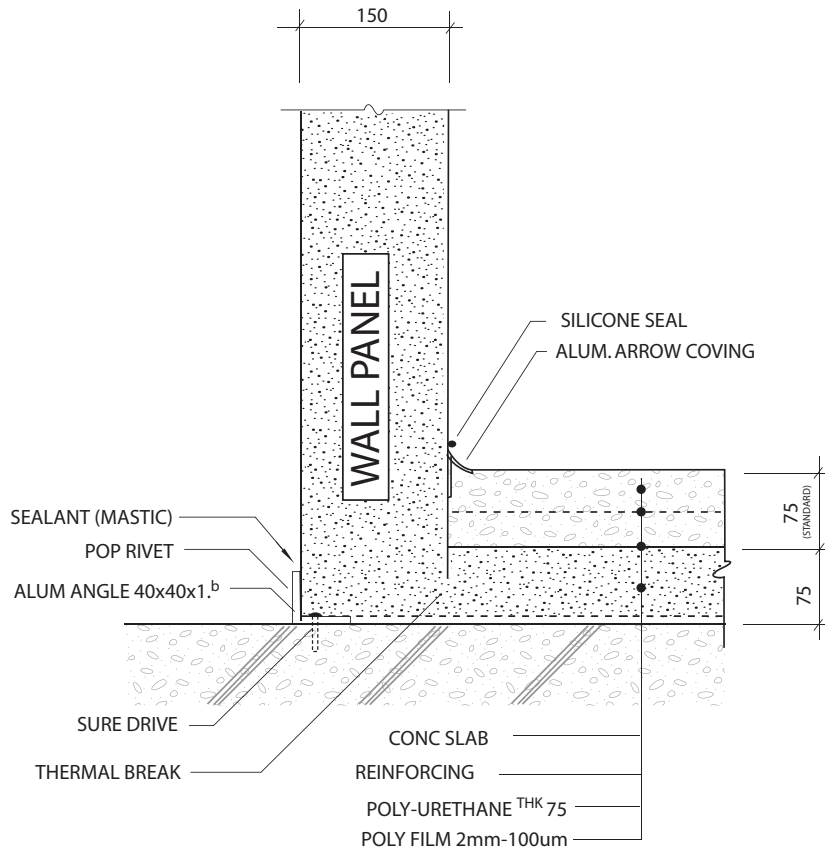


WALL PANEL TO THE FLOOR (TYPE OF NO FLOOR COOLROOM)

Austec Panel Systems Australia Pty Ltd

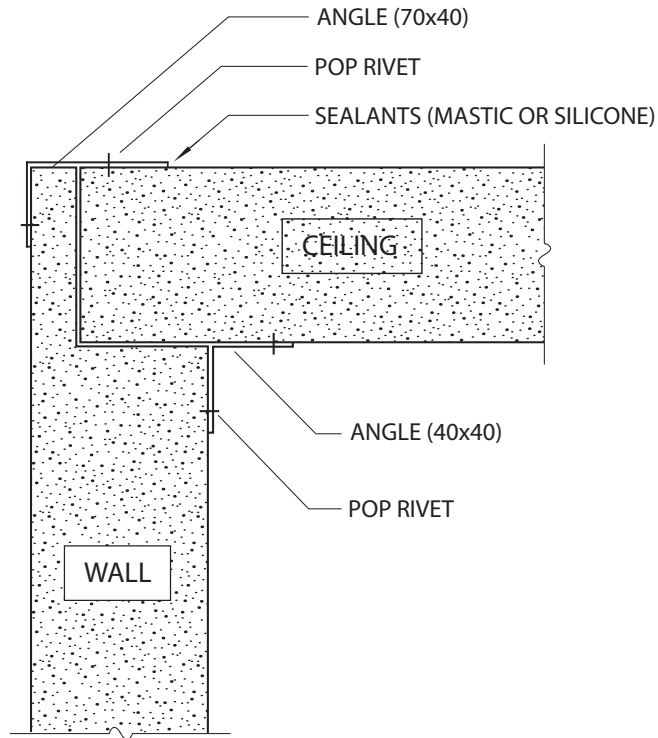


WALL PANEL TO THE FLOOR (TYPE OF NO FLOOR COOLROOM)

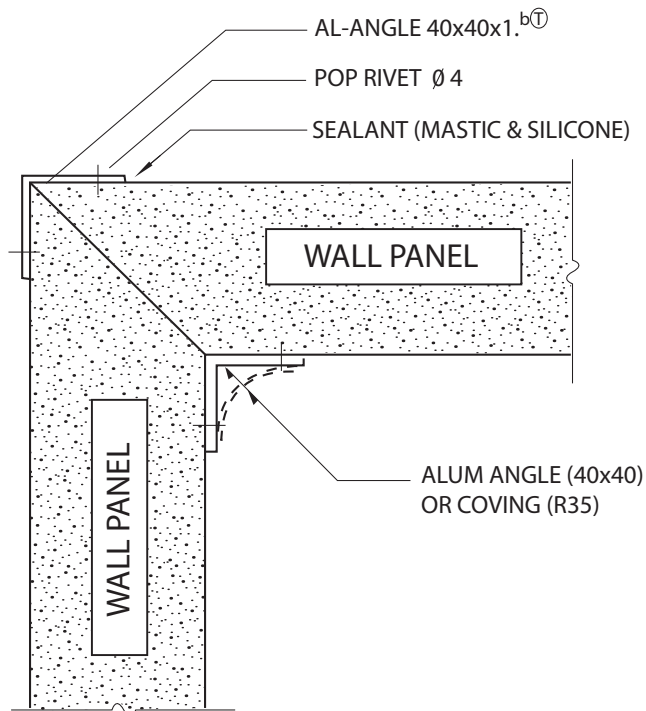


WALL PANEL TO THE FLOOR
(TYPE OF CONCRETE FLOOR FREEZER)

Austec Panel Systems Australia Pty Ltd

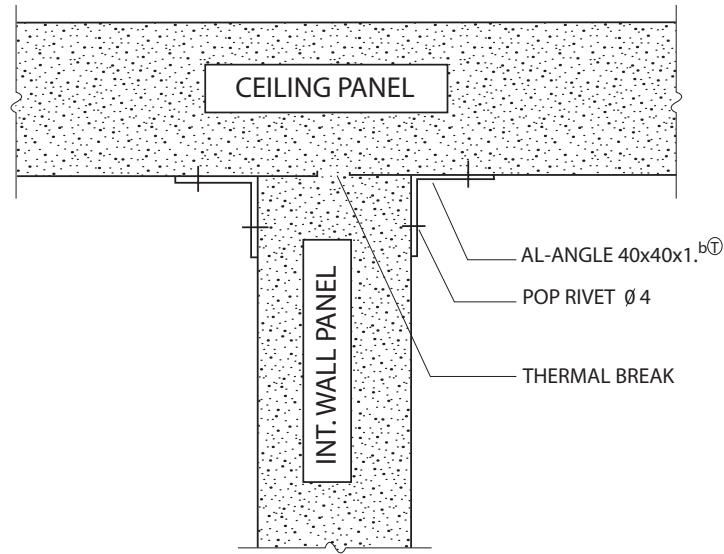


WALL PANEL TO CEILING CONNECTION

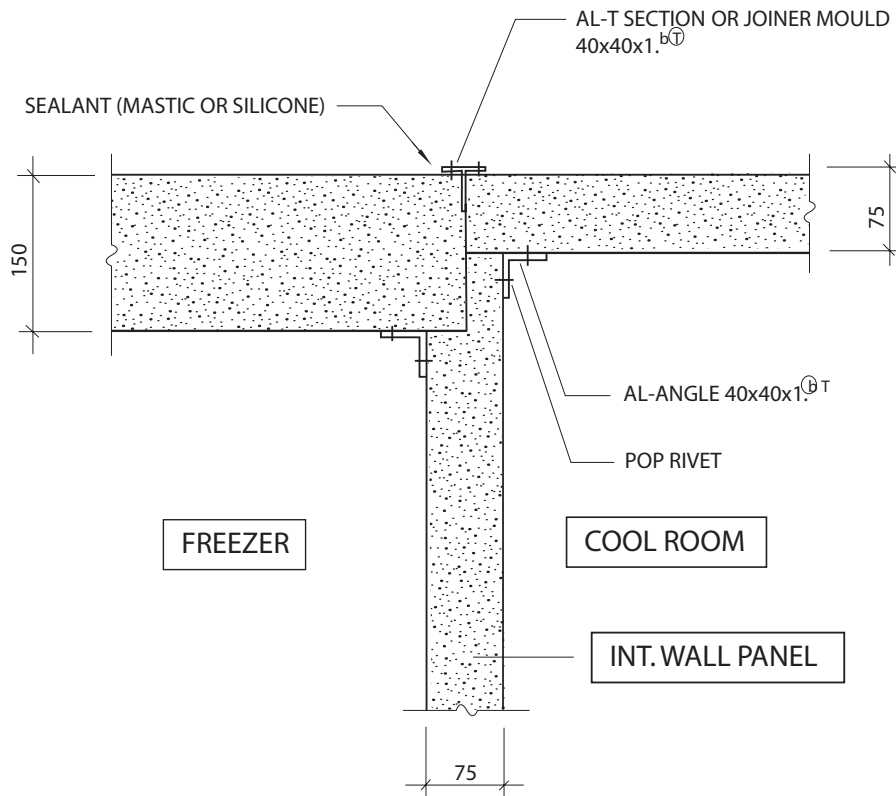


WALL TO WALL CONNECTION (MITRE JOINT)

Austec Panel Systems Australia Pty Ltd

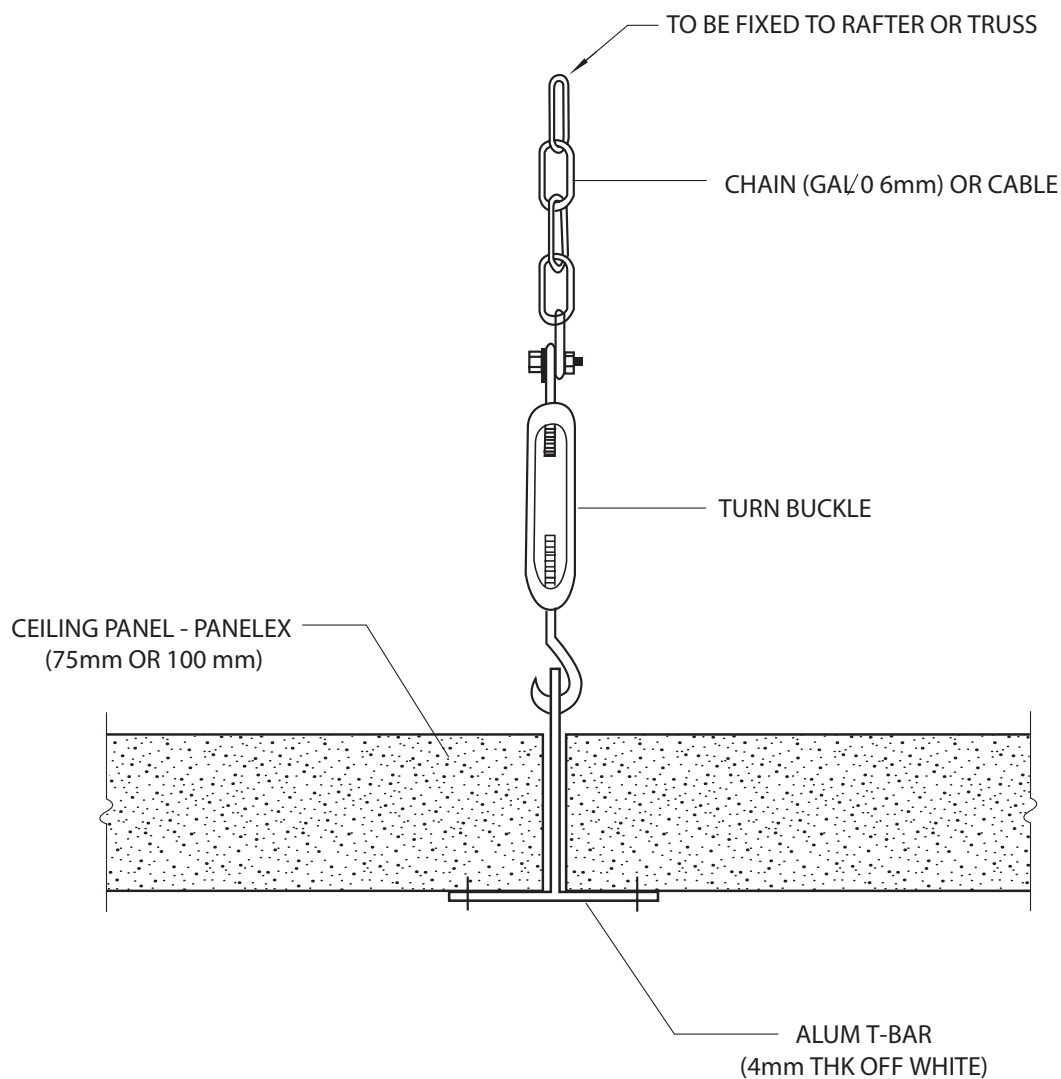


CEILING TO WALL CONNECTION SCALE 1:2.5



FREEZER TO COOL ROOM CONNECTION SCALE 1:5

Austec Panel Systems Australia Pty Ltd



MAIN SUSPENSION CEILING SYSTEM